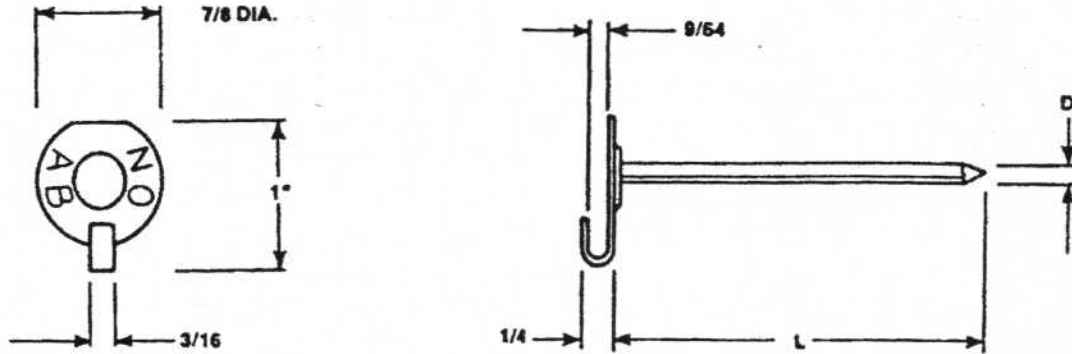


LACING ANCHOR



SIZE:	D	12 GA & 14 GA are standard. Other sizes are available by special order.
LENGTH:	L	2-1/2 & 4-1/2 are standard. Other lengths are available by special order.
MATERIAL:	LOW CARBON STEEL	STAINLESS STEEL
PLATING:	Cadmium plating is standard.	Does not apply to stainless.
OTHER MATERIALS:	Available by special order only.	
WASHERS:	Self-locking washers are available in a variety of sizes, shapes, and materials.	

TO ORDER OR SPECIFY GIVE:

- 1. Product Code LA
- 2. Size D
- 3. Length L
- 4. Material (if other than standard)

NEW-AGE
FASTENING SYSTEMS, INC.

Studwelding Equipment, Fasteners & Supplies
Boiler Outage Specialists
Jobsite Studwelding Division
P.O. Box 5658, Deptford, NJ 08096
Phone: (856) 218-8301
Fax: (856) 218-8305
Toll Free: (888) 889-3833
steve@newagestudwelding.com

All information contained herein subject to change without notice.