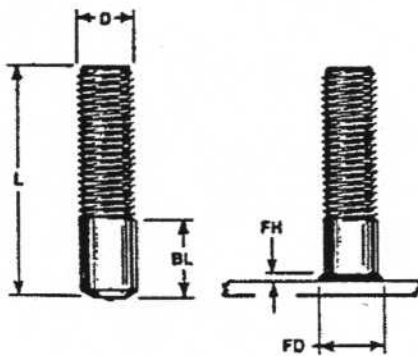


**FULL BASE**



| STUD |       |        |        |        |              |
|------|-------|--------|--------|--------|--------------|
| D    | MIN L | MIN BL | MAX FD | MAX FH | FERRULE CODE |
| 1/4  | 3/4*  | .375   | .335   |        | F250         |
| 5/16 | 7/8   | .375   | .406   | .125   | F312         |
| 3/8  |       | .500   | .468   | .141   | F375         |
| 7/16 | 1-1/8 | .500   | .546   | .156   | F437         |
| 1/2  | 1-1/4 | .500   | .609   | .172   | F500         |
| 5/8  | 1-1/2 | .500   | .765   | .266   | F625         |
| 3/4  | 1-3/4 | .675   | .906   | .335   | F750         |
| 7/8  | 2-1/2 | .750   | 1.046  | .390   | F875         |
| 1    | 2-1/2 | 1.000  | 1.203  | .468   | F1000        |

**THREADS:** Standard thread is UNC-2A (Rolled when possible), other threads are available upon request. Maximum standard thread length is 3-7/8".

| MATERIAL: | LOW CARBON STEEL  | STAINLESS STEEL   |
|-----------|---|---|
|           | C-0.23% max. P - 0.04% max.<br>Mn - 0.90% max. S - 0.05% max. | AISI grade - 302/304/305 std.<br>Other grades available upon request. |

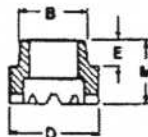
| MECHANICAL PROPERTIES: |                   |   |
|------------------------|-------------------|---|
| Tensile                | 60,000 psi (min.) | Values for various grades available upon request. |
| Yield                  | 50,000 psi (min.) |   |
| Elongation             | 20% (in 2 inches) |   |

| PLATING:   |  |                              |
|--|--|------------------------------|
| Plating is not standard. Cadmium, copper nickel, and zinc available upon customer request. |  | Does not apply to Stainless. |

**FERRULES:** Ferrules are component parts of studs. Not sold separately.

**FERRULE**

| CODE  | B     | D     | E     | M    | PART NO.    |
|-------|-------|-------|-------|------|-------------|
| F250  | .380  | .455  | .125  | .390 | 092 0005 06 |
| F312  | .445  | .578  | .156  | .390 | 092 0005 07 |
| F375  | .505  | .640  | .156  | .390 | 092 0005 08 |
| F437  | .585  | .703  | .188  | .422 | 092 0005 09 |
| F500  | .650  | .795  | .188  | .438 | 092 0005 10 |
| F625  | .785  | 1.030 | .188  | .516 | 092 0005 11 |
| F750  | 1.030 | 1.218 | .188  | .681 | 092 0005 12 |
| F875  | 1.203 | 1.406 | .194  | .734 | 092 0005 13 |
| F1000 | 1.406 | 1.609 | .1250 | .843 | 092 0005 14 |



**TO ORDER OR SPECIFY GIVE:**

1. Product Code . . . . . ARC FB
2. Diameter . . . . . D
3. Length . . . . . L
4. Material . . . . .



Studwelding Equipment, Fasteners & Supplies  
 Boiler Outage Specialists  
 Jobsite Studwelding Division  
 P.O. Box 5658, Deptford, NJ 08096  
 Phone: (856) 218-8301  
 Fax: (856) 218-8305  
 Toll Free: (888) 889-3833  
 sfeve@newagestudwelding.com

All information contained herein subject to change without notice.