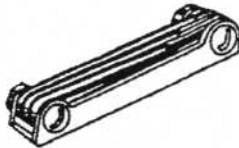


**ARC STUD WELDING ACCESSORIES****GUN SET-UP**

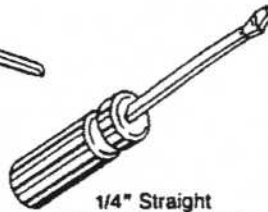
The ARC stud welding accessories shown in this booklet allow the ARC Gun to be "set up" to weld a wide variety of different types and sizes of ARC studs with a minimal amount of time required for changeover. Several typical set-ups are shown below for reference. Final adjustments necessary for the gun and welder are explained in the welder operation manual.

**TOOLS REQUIRED**

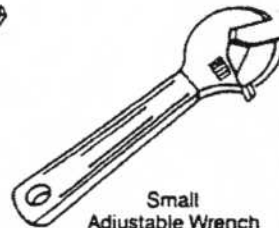
Allen Wrench  
Set



Chuck  
Ejector Key



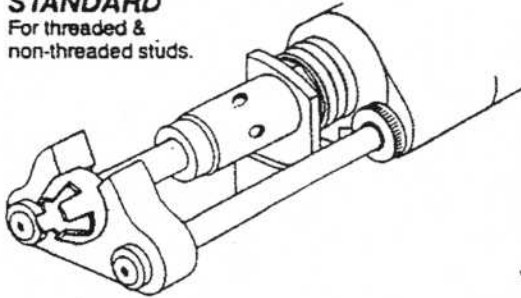
1/4" Straight  
Blade Screwdriver



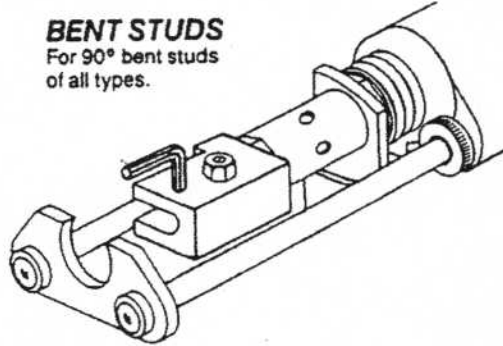
Small  
Adjustable Wrench

**SET-UPS****STANDARD**

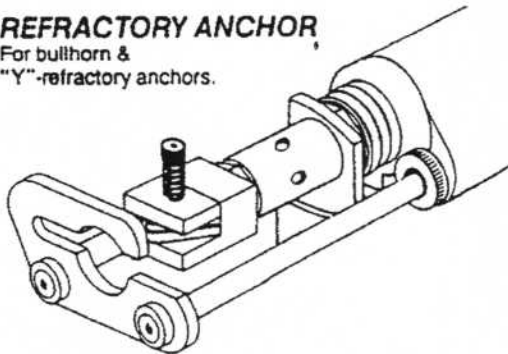
For threaded &  
non-threaded studs.

**BENT STUDS**

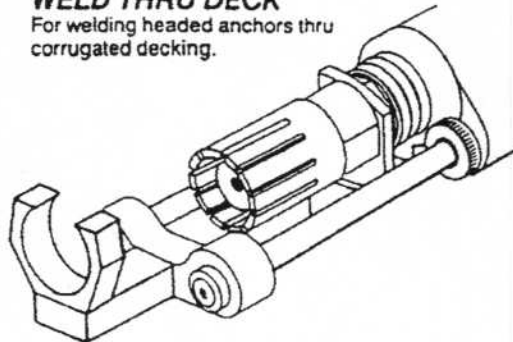
For 90° bent studs  
of all types.

**REFRACTORY ANCHOR**

For bullhorn &  
"Y"-refractory anchors.

**WELD THRU DECK**

For welding headed anchors thru  
corrugated decking.



All information contained herein subject to change without notice.

ACC-11

**NEW-AGE**  
**FASTENING SYSTEMS, INC.**

Studwelding Equipment, Fasteners & Supplies

Boiler Outage Specialists

Jobsite Studwelding Division

P.O. Box 5658, Deptford, NJ 08096

Phone: (856) 218-8301

Fax: (856) 218-8305

Toll Free: (888) 889-3833

steve@newagestudwelding.com