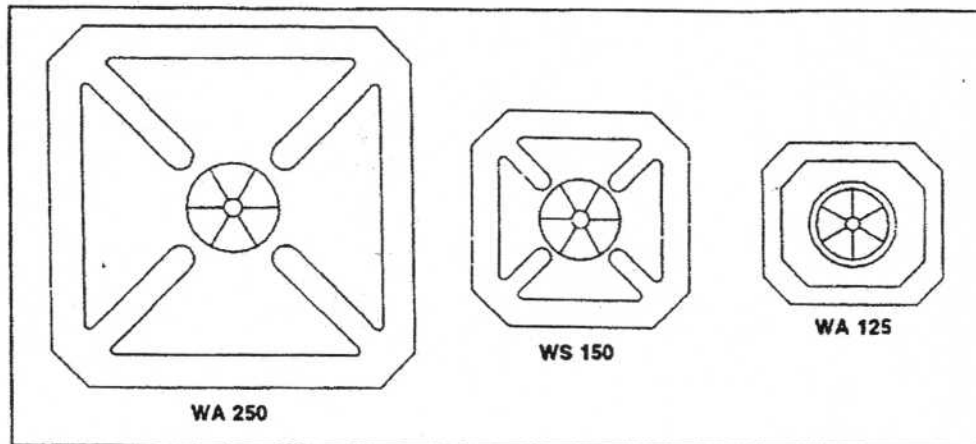


SELF-LOCKING WASHERS (Square)



Type	WAMS-250 M.S. WASS-250 S.S. WAAL-250 AL.	WAMS-150-M.S. WASS-150-S.S. WAAL-150-AL.	WAMS-125-M.S. WASS-125-S.S. WAAL-125-AL.
Diameter	2-1/2 x 2-1/2	1-1/2 x 1-1/2	1-1/4 x 1-1/8
Thickness	.015 nom.	.015 nom.	.015 nom.
Material	Mild Steel	Mild Steel	Mild Steel
Plating	Galv.	Galv.	Galv.
Edges / flat or beveled	beveled	beveled	beveled
Other materials available	Alum., S.S.	Alum., S.S.	Alum., S.S.
Packaged per carton	1000	3000	1000, 5000
Shipping weight per 1000	28-1/2 lbs.	10 lbs.	6 lbs.

MIDWEST FASTENERS Self-Locking Washers are used in conjunction with MIDWEST FASTENERS weld pins, insul-anchors and lacing anchors to fasten insulation in place. Simply press the self-locking washer onto the pin up against the insulation until the desired position is reached and then clip off, or bend over, the remaining portion of pin for a permanent attachment.

The choice between Round or Square self-locking washers is basically a matter of aesthetics or personal

preference. The domed, multi-lanced hole design provides for ease of locating washer on pin and positive self-locking. Some styles of washers are manufactured with a beveled edge to prevent the washer from cutting into the insulation facing.

MIDWEST FASTENERS Self-Locking Washers are available according to the chart above and with standard 10 GA, 12 GA, or 14 GA hole sizes off-the-shelf. Other material/plating combinations and hole sizes are available by special order.

TO ORDER OR SPECIFY GIVE:

1. Product Code WA, WS
2. Material MS, SS, AL
3. Type 250, 150, 125
4. Diameter of pin/stud on which washer is to be used



Studwelding Equipment, Fasteners & Supplies
 Boiler Outage Specialists
 Jobsite Studwelding Division
 P.O. Box 5658, Deptford, NJ 08096
 Phone: (856) 218-8301
 Fax: (856) 218-8305
 Toll Free: (888) 889-3833
 steve@newagestudwelding.com

All information contained herein subject to change without notice.