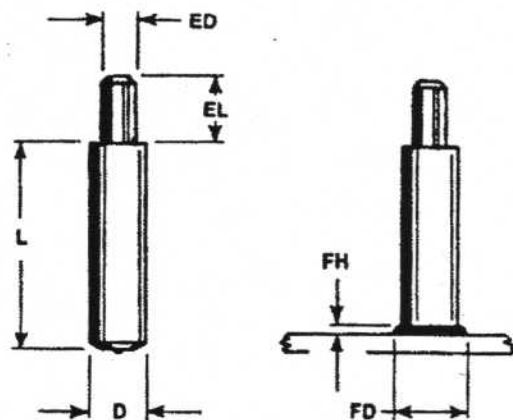


## SHOULDER - NO THREAD



### STUD

MIN						FERRULE
D	L	ED	EL	FD	FH	CODE
5/16	3/8	3/16	3/16	.437	.109	F312
3/8	3/8	3/16	3/16	.500	.125	F375
1/2	1/2	3/8	45/64	.627	.156	F500

**MATERIAL: LOW CARBON STEEL**  
 C-0.23% max. P - 0.04% max.  
 Mn - 0.90% max. S - 0.05% max.

**STAINLESS STEEL**  
 AISI grade - 302/304/305 std.  
 Other grades available upon request.

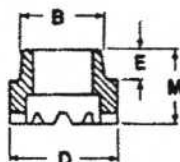
**MECHANICAL PROPERTIES:**  
 Tensile 60,000 psi (min.)  
 Yield 50,000 psi (min.)  
 Elongation 20% (in 2 inches)

Values for various grades available upon request.

**PLATING:** Plating is not standard. Cadmium, copper nickel, and zinc available upon customer request.

Does not apply to Stainless.

**FERRULES:** Ferrules are component parts of studs. Not sold separately.



### FERRULE

CODE	B	D	E	M	PART NO.
F312	.445	.578	.156	.390	092 0005 07
F375	.505	.640	.156	.390	092 0005 08
F500	.560	.795	.188	.438	092 0005 10

#### TO ORDER OR SPECIFY GIVE:

1. Product Code . . . . . ARC SH-NT
2. Diameter . . . . . D
3. Length . . . . . L
4. Groove Diameter . . . . . ED
5. Groove Length . . . . . EL
6. Material . . . . .

**NEW-AGE**  
**FASTENING SYSTEMS, INC.**

Studwelding Equipment, Fasteners & Supplies  
 Boiler Outage Specialists  
 Jobsite Studwelding Division  
 P.O. Box 5658, Deptford, NJ 08096  
 Phone: (856) 218-8301  
 Fax: (856) 218-8305  
 Toll Free: (888) 889-3833  
 steve@newagestudwelding.com

All information contained herein subject to change without notice.