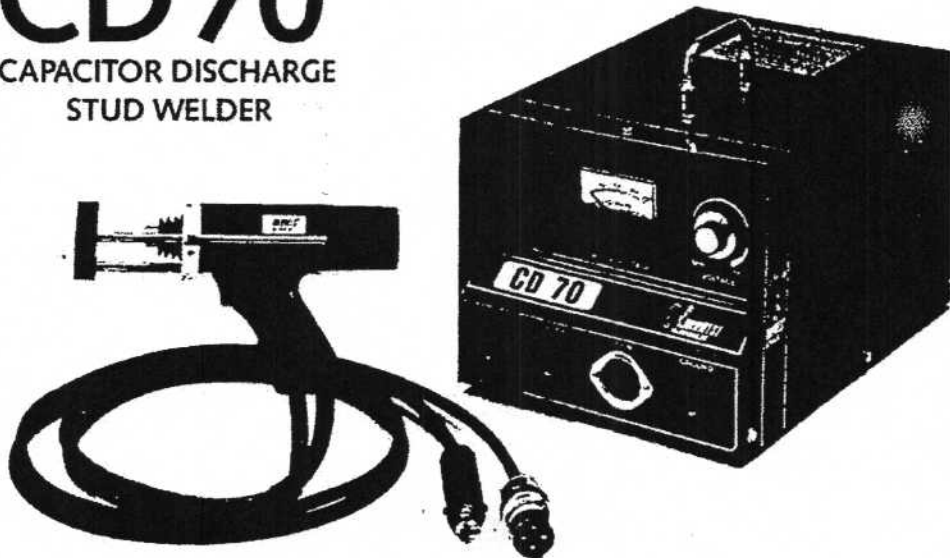


CD 70

CAPACITOR DISCHARGE
STUD WELDER



Midwest Fasteners' CD70 Capacitor Discharge Welding System is designed for a wide range of light construction needs. The CD70's cup head pin welding capability makes it ideal for ship building, insulation, HVAC and sheet metal contractors.

One of the CD70's unique features is a nichrome loop system, which allows welding of cup head weld pins to material as thin as 20 gauge without burn through. What's more, the CD70 is powerful enough to weld fasteners from 14 gauge through 1/4" diameter. It operates on standard 120 Volt AC incoming power and features stepless weld voltage control. A 220 Volt AC "Export" system is also available.

Long life and dependability are assured with the CD70's solid state circuitry. And the rugged steel chassis makes the unit durable for construction job-sites. Gauges and control knobs are protected by a

recessed control panel. The auto fault shut off helps maintain operator safety, and the panel meter displays capacitor discharge voltage at a glance. Another safety feature, circuit breaker protection, prevents expensive repair to component parts, such as printed circuit board.

Like all of Midwest Fasteners' CD welding systems, the CD70 is equipped with an ultra-light 24 ounce Contact Gun. With this gun, operator fatigue is reduced — thereby increasing production. The weld gun features interchangeable main spring pressure, necessary for special welding applications, and the welding of dissimilar materials. The unique drilled through gun shaft enables precise gun set up for welding aluminum pins and extra long CD weld pins.

NEW-AGE

FASTENING SYSTEMS, INC.

Studwelding Equipment, Fasteners & Supplies

Boiler Outage Specialists

Jobsite Studwelding Division

P.O. Box 5658, Deptford, NJ 08036

Phone: (856) 218-8301

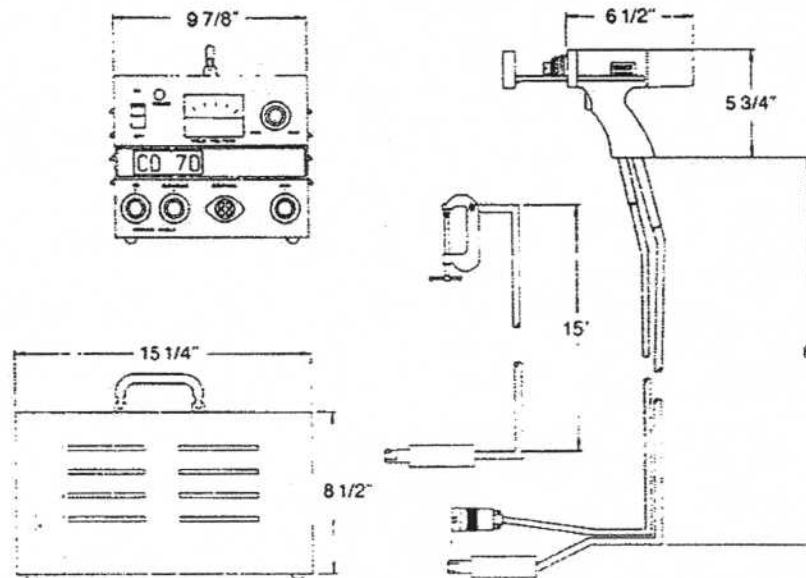
Fax: (856) 218-8305

Toll Free: (888) 889-3833

steve@newagestudwelding.com

All information contained herein subject to change without notice.

CD 70 CAPACITOR DISCHARGE WELDING SYSTEM



SPECIFICATIONS:

POWER SUPPLY/CONTROLLER

Height	8-1/2"
Width	9-7/8"
Depth	15-1/4"
Weight	47 Pounds
Weld Rate	20/Min.
Weldable Materials	Mild Steel, Stainless Steel, Aluminum
Pin/Stud Range	14 Ga. thru 1/4" Dia.
Weld Voltage	35-175 VDC
Capacitance	70,000 Mfd
Weld Mode	Contact Cuphead
Power Requirement	115VAC, 60 Hz. 20 Amp

WELD GUN

Weight	1-1/2 Lbs. (Not including cable)
Size (LWH)	6-1/2" x 2" x 5-3/4"
Weldable Dia.	14 Gauge through 1/4" Dia.
Material	High strength, impact resistance, polycarbonate

CABLES

Ground Cable	#4 x 15 Ft. (one each)
Extension Set	#4 x 18/2 x 25 Ft. (one each)

NEW-AGE

FASTENING SYSTEMS, INC.

Studwelding Equipment, Fasteners & Supplies

Boiler Outage Specialists

Jobsite Studwelding Division

P.O. Box 5658, Deptford, NJ 08096

Phone: (856) 218-8301

Fax: (856) 218-8305

Toll Free: (888) 889-3833

steve@newagestudwelding.com

All information contained herein subject to change without notice.