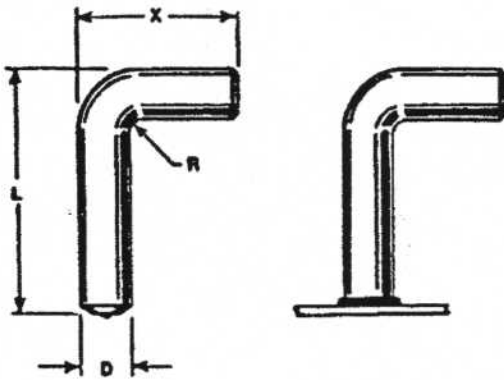


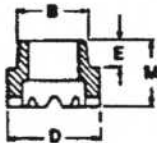
BENT - NO THREAD



STUD				
D	MIN L	MIN. X	MIN. R	FERRULE CODE
1/4	1-1/8	1-1/4	.125	F250
5/16	1-1/4	1-1/2	.218	F312
3/8	1-1/2	1-1/2	.218	F375
7/16	1-5/8	1-5/8	.250	F437
1/2	1-3/4	1-3/4	.250	F500
5/8	1-7/8	2"	.312	F625
3/4	2-3/4	3"	.500	F750
7/8	3-1/2	3-3/8	.500	F875

MATERIAL: LOW CARBON STEEL C-0.23% max. P - 0.04% max. Mn - 0.90% max. S - 0.05% max.	STAINLESS STEEL AISI grade - 302/304/305 std. Other grades available upon request.
MECHANICAL PROPERTIES: Tensile 60,000 psi (min.) Yield 50,000 psi (min.) Elongation 20% (in 2 inches)	Values for various grades available upon request.
PLATING: Plating is not standard. Cadmium, copper nickel, and zinc available upon customer request.	Does not apply to Stainless.

FERRULES: Ferrules are component parts of studs. Not sold separately.



FERRULE					
CODE	B	D	E	M	PART NO.
F250	.380	.455	.156	.390	092 0005 06
F312	.445	.578	.156	.390	092 0005 07
F375	.505	.640	.156	.390	092 0005 08
F437	.585	.703	.188	.422	092 0005 09
F500	.650	.795	.188	.438	092 0005 10
F625	.785	1.030	.188	.516	092 0005 11
F750	1.030	1.218	.188	.656	092 0005 12
F875	1.203	1.406	.188	.732	092 0005 13

TO ORDER OR SPECIFY GIVE:

1. Product Code ARC B-NT
2. Diameter D
3. Length L
4. Length X
5. Material



Studwelding Equipment, Fasteners & Supplies
 Boiler Outage Specialists
 Jobsite Studwelding Division
 P.O. Box 5658, Deptford, NJ 08096
 Phone: (856) 218-8301
 Fax: (856) 218-8305
 Toll Free: (888) 889-3833
 steve@newagestudwelding.com

All information contained herein subject to change without notice.