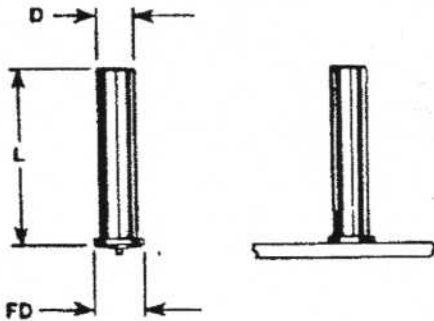


FLANGED - NO THREAD



STUD		
		MIN
D	FD	L
.115	3/32	.174
		.203
	1/8	.187
.141		.218
	5/32	.250
.161		.250
	3/16	.250
.215		.312
	1/4	.312
.273		.375
	5/16	.375
		.500

MATERIAL: LOW CARBON STEEL C - 0.23% max. P - 0.04% max. Mn - 0.90% max. S - 0.05% max.	STAINLESS STEEL AISI grade - 302/304/305 std. Other grades available upon request.
MECHANICAL PROPERTIES: Tensile 60,000 psi (min.) Yield 50,000 psi (min.) Elongation 20% (in 2 inches)	Values for various grades available upon request.
PLATING: Copper coating is standard.	Does not apply to Stainless
ANNEALING: Studs are annealed where required.	Studs are annealed where required.
MATERIAL: ALUMINUM Alloy — 1100 & 5000 series std. Other alloys available upon request.	BRASS Alloy — (lead free) 70-30 std. Other alloys available upon request.
MECHANICAL PROPERTIES: Values for various alloys available upon request.	Values for various alloys available upon request.

TO ORDER OR SPECIFY GIVE:

1. Product Code CD F-NT
2. Diameter D
3. Length L
4. Material

All information contained herein subject to change without notice.

NEW AGE
FASTENING SYSTEMS, INC.

Studwelding Equipment, Fasteners & Supplies
Boiler Outage Specialists
Jobsite Studwelding Division
P.O. Box 5658, Deptford, NJ 08096
Phone: (856) 218-8301
Fax: (856) 218-8305
Toll Free: (888) 889-3833
steve@newagestudwelding.com