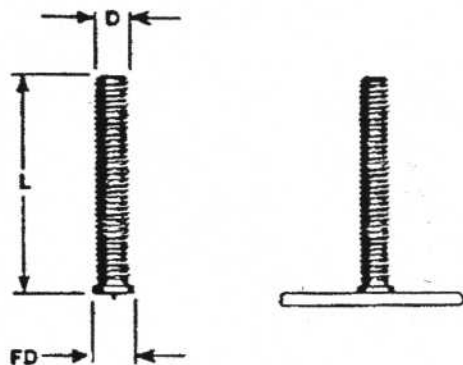


SMALL FLANGED



| STUD | | |
|----------|-----------|--------------|
| <i>D</i> | <i>FD</i> | <i>MIN L</i> |
| 4-40 | .143 | .250 |
| 6-32 | .169 | .250 |
| 8-32 | .195 | .250 |
| 10-32 | .221 | .250 |
| 10-24 | .221 | .250 |
| 1/4-20 | .281 | .375 |
| 5/16-18 | .342 | .500 |

| | |
|---|---|
| MATERIAL: LOW CARBON STEEL C - 0.23% max. P - 0.04% max. Mn - 0.90% max. S - 0.05% max. | STAINLESS STEEL AISI grade - 302/304/305 std. Other grades available upon request. |
| MECHANICAL PROPERTIES: Tensile 60,000 psi (min.) Yield 50,000 psi (min.) Elongation 20% (in 2 inches) | Values for various grades available upon request. |
| PLATING: Copper coating is standard. | Does not apply to Stainless |
| ANNEALING: Studs are annealed where required. | Studs are annealed where required. |
| MATERIAL: ALUMINUM Alloy — 1100 & 5000 series Other alloys available upon request. | BRASS Alloy — (lead free) 70-30 std. Other alloys available upon request. |
| MECHANICAL PROPERTIES: Values for various alloys available upon request. | Values for various alloys available upon request. |

TO ORDER OR SPECIFY GIVE:

1. Product Code CD SF
2. Diameter D
3. Length L
4. Material

NEW-AGE
FASTENING SYSTEMS, INC.

Studwelding Equipment, Fasteners & Supplies
Boiler Outage Specialists
Jobsite Studwelding Division
P.O. Box 5658, Deptford, NJ 08096
Phone: (856) 218-8301
Fax: (856) 218-8305
Toll Free: (888) 889-3833
steve@newagestudwelding.com

All information contained herein subject to change without notice.