

## ARC STUD WELDING ACCESSORIES

## CHUCKS

### SPECIAL RECTANGULAR CHUCKS

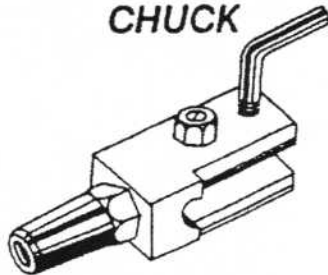
STUD SIZE	PART NO.
1/8 x 1/4 ASS'Y.	003-447
1/8 x 1" ASS'Y.	043-028
3/16 x 3/4 ASS'Y.	043-026
3/16 x 1" ASS'Y.	043-030
1/4 x 3/4 ASS'Y.	029-431

### BENT STUD CHUCKS - STD. COMPONENTS

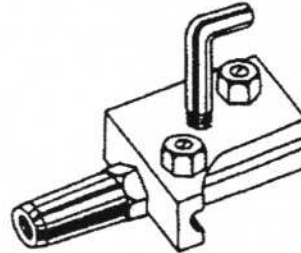
ITEM	PART NO.
Clamp Screw	043-197
Ball Plunger	043-196
Hex Nut	004-422
Shoulder Screw	037-548
Spring	043-219
Tapered Adaptor	044-085
Adaptor Jam Nut	034-162

The following "Bent Stud Chucks" are illustrated for reference purposes. Bent studs may vary in bend angle and/or bend radius for different applications. Therefore it is necessary to specify the part to be welded and the application to ensure receiving the correct chuck. The components in the chart above are standard replacement parts for these Bent Stud Chucks.

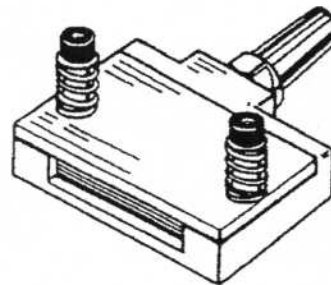
### 90° BENT STUD CHUCK



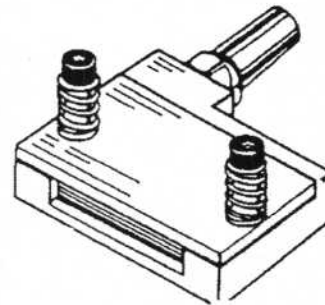
### 45° BENT STUD CHUCK



### EYE BOLT CHUCK



### "J" BOLT CHUCK



# NEW-AGE

## FASTENING SYSTEMS, INC.

Studwelding Equipment, Fasteners & Supplies  
 Boiler Outage Specialists  
 Jobsite Studwelding Division  
 P.O. Box 5658, Deptford, NJ 08096  
 Phone: (856) 218-8301  
 Fax: (856) 218-8305  
 Toll Free: (888) 889-3833  
 steve@newagestudwelding.com

All information contained herein subject to change without notice.