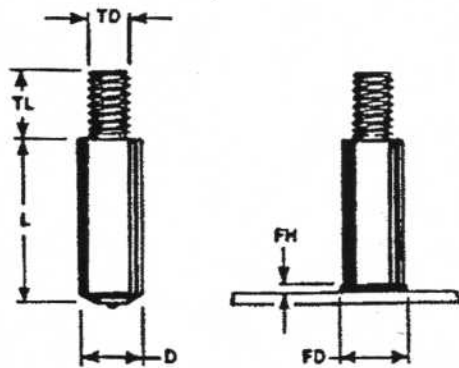


**SHOULDER - THREADED**



D	MIN		MAX		FERRULE	
	L	TD	TL	FD	FH	CODE
1/4	.312	#8	.437	.359	.109	F250
5/16	.375	#10	.500	.437	.109	F312
3/8	.375	1/4	.750	.500	.125	F375
7/16	.437	5/16	.875	.578	.140	F437
1/2	.500	3/8	1.000	.627	.156	F500
5/8	.625	1/2	1.250	.796	.187	F625
3/4	.625	5/8	1.625	.937	.250	F750
7/8	.750	3/4	1.875	1.093	.312	F875

**THREADS:** Standard thread is UNC-2A (Rolled when possible), other threads are available upon request.

**MATERIAL: LOW CARBON STEEL**  
 C-0.23% max. P - 0.04% max.  
 Mn - 0.90% max. S - 0.05% max.

**STAINLESS STEEL**  
 AISI grade - 302/304/305 std.  
 Other grades available upon request.

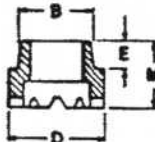
**MECHANICAL PROPERTIES:**  
 Tensile 60,000 psi (min.)  
 Yield 50,000 psi (min.)  
 Elongation 20% (in 2 inches)

Values for various grades available upon request.

**PLATING:** Plating is not standard. Cadmium, copper nickel, and zinc available upon customer request.

Does not apply to Stainless.

**FERRULES:** Ferrules are component parts of studs. Not sold separately.



FERRULE					
CODE	B	D	E	M	PART NO.
F250	.380	.455	.156	.390	092 0005 06
F312	.445	.578	.156	.390	092 0005 07
F375	.505	.640	.156	.390	092 0005 08
F437	.585	.703	.188	.422	092 0005 09
F500	.650	.795	.188	.438	092 0005 10
F625	.785	1.030	.188	.516	092 0005 11
F750	1.030	1.218	.188	.656	092 0005 12
F875	1.203	1.406	.188	.732	092 0005 13

**TO ORDER OR SPECIFY GIVE:**

1. Product Code . . . . . ARC SH-T
2. Diameter . . . . . D
3. Length . . . . . L
4. Thread Diameter . . . . . TD
5. Thread Length . . . . . TL
6. Material . . . . .

**NEW-AGE**  
**FASTENING SYSTEMS, INC.**

Studwelding Equipment, Fasteners & Supplies  
 Boiler Outage Specialists  
 Jobsite Studwelding Division  
 P.O. Box 5658, Deptford, NJ 08096  
 Phone: (856) 218-8301  
 Fax: (856) 218-8305  
 Toll Free: (888) 889-3833  
 steve@newagestudwelding.com

All information contained herein subject to change without notice.