

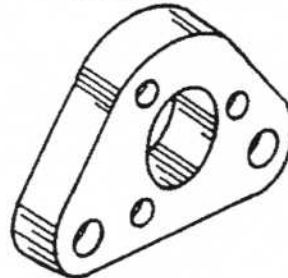
CD STUD WELDING ACCESSORIES **FACEPLATES**

ROUND FACEPLATE



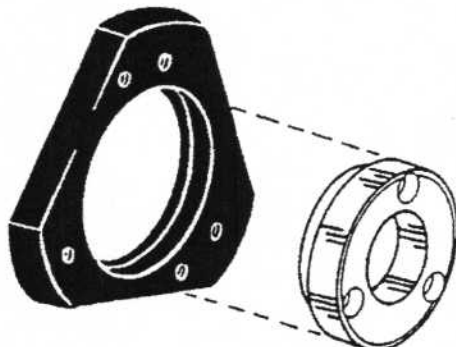
ITEM	PART NO.
Faceplate	033-722
Mounting Screw (all Faceplates)	018-181

**STANDARD ADJUSTABLE
FACEPLATE**



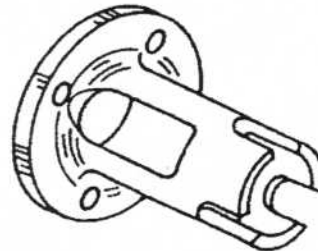
ITEM	PART NO.
Faceplate	033-665

TRIPOD FACEPLATE



ITEM	PART NO.
Base	033-724
Retainer	033-723
Compression Ring (not shown)	039-837

**TEMPLATE ADAPTOR
FACEPLATE**



TEMPLATE I.D.	PART NO.
1" Dia.	039-839
1-1/4 Dia.	039-840

Template Adaptors are used when precise locating or positioning of the CD stud is required. The above two are standard, however, template adaptors for welding studs at an angle or to complex shapes for example can be developed on a special order basis.

All information contained herein subject to change without notice.

ACC-5

NEW-AGE
FASTENING SYSTEMS, INC.

Studwelding Equipment, Fasteners & Supplies
 Boiler Outage Specialists
 Jobsite Studwelding Division
 P.O. Box 5658, Deptford, NJ 08096
 Phone: (856) 218-8301
 Fax: (856) 218-8305
 Toll Free: (888) 889-3833
 steve@newagestudwelding.com